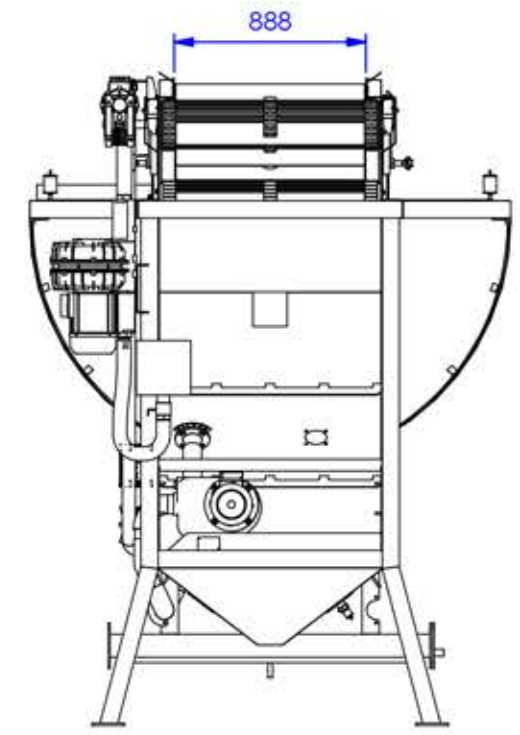
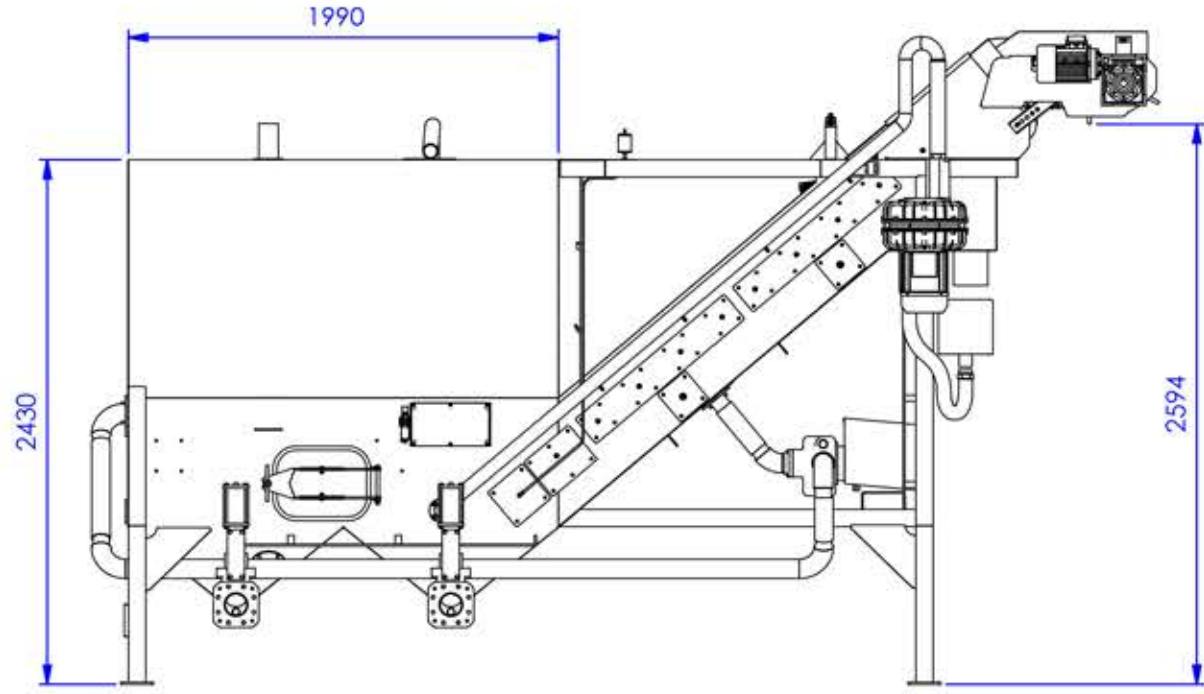
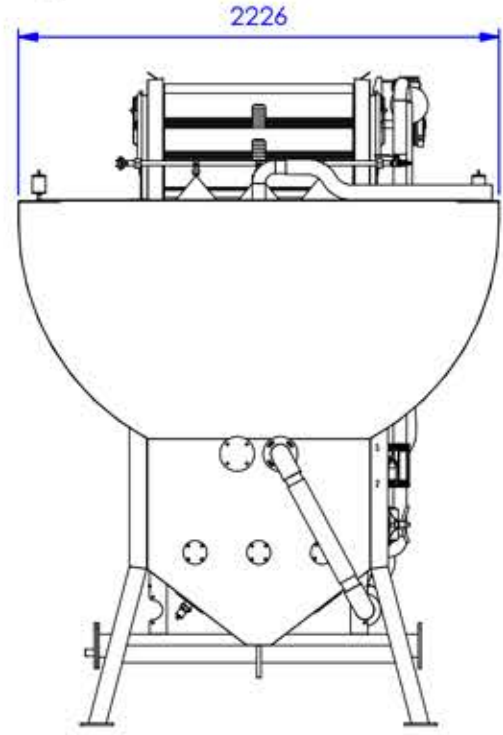
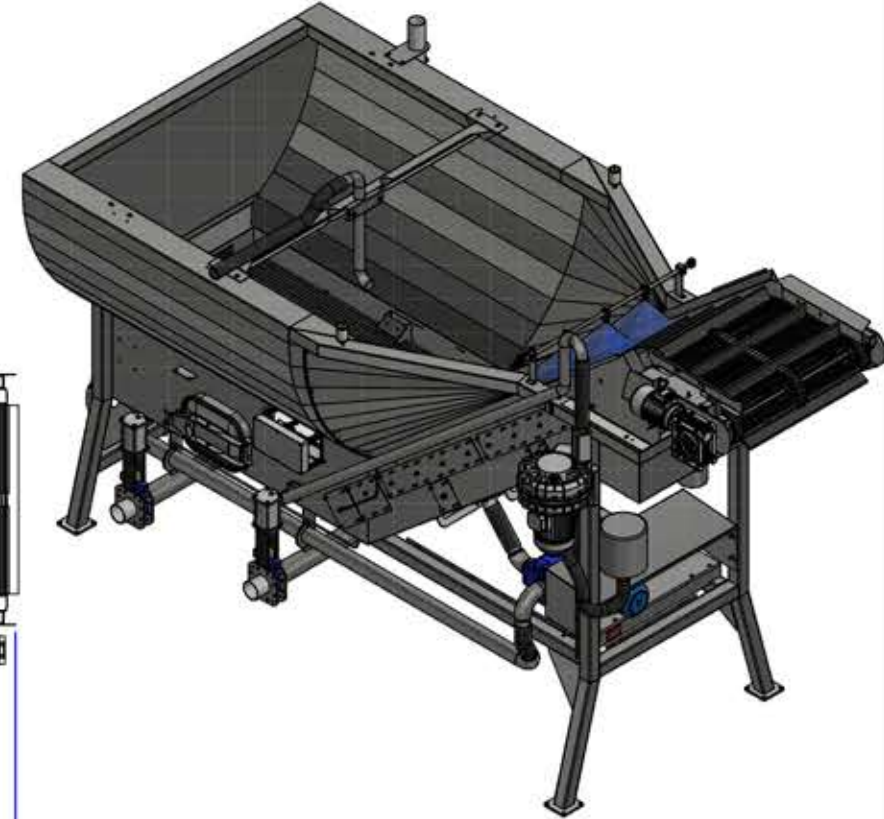
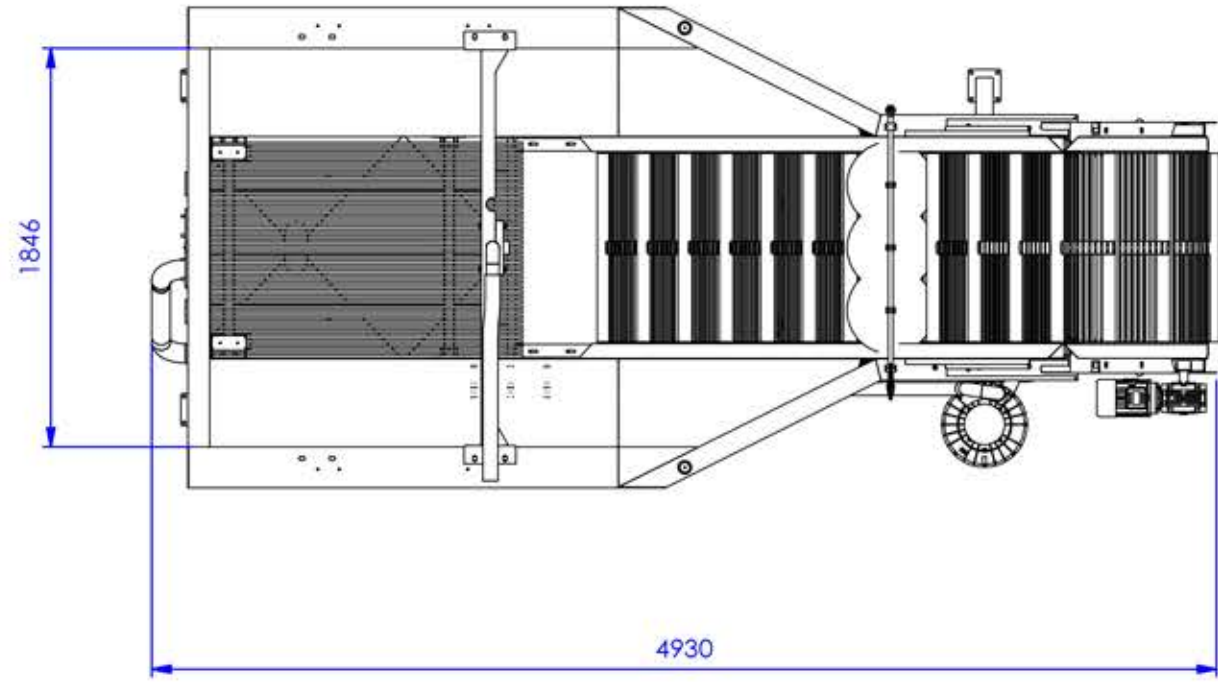


J2T



For discussion only!
 The dimensions are approximately.
 We are free to resize and change the machines,
 when we deem it necessary.

Tol principle: ISO 8015		General tolerances: ISO 20768		Fit system: ISO 286		Geometrical tolerancing: ISO 1101	
Project: Wet hopper							
Description: J 2 T							
Surface:							
Engineer: HWS	Scale: 1 : 35	00036939				Revision: 01	
Date: 28-6-2019	Sheet size: A3					Sheet: 1 of 3	
Unit: mm							

